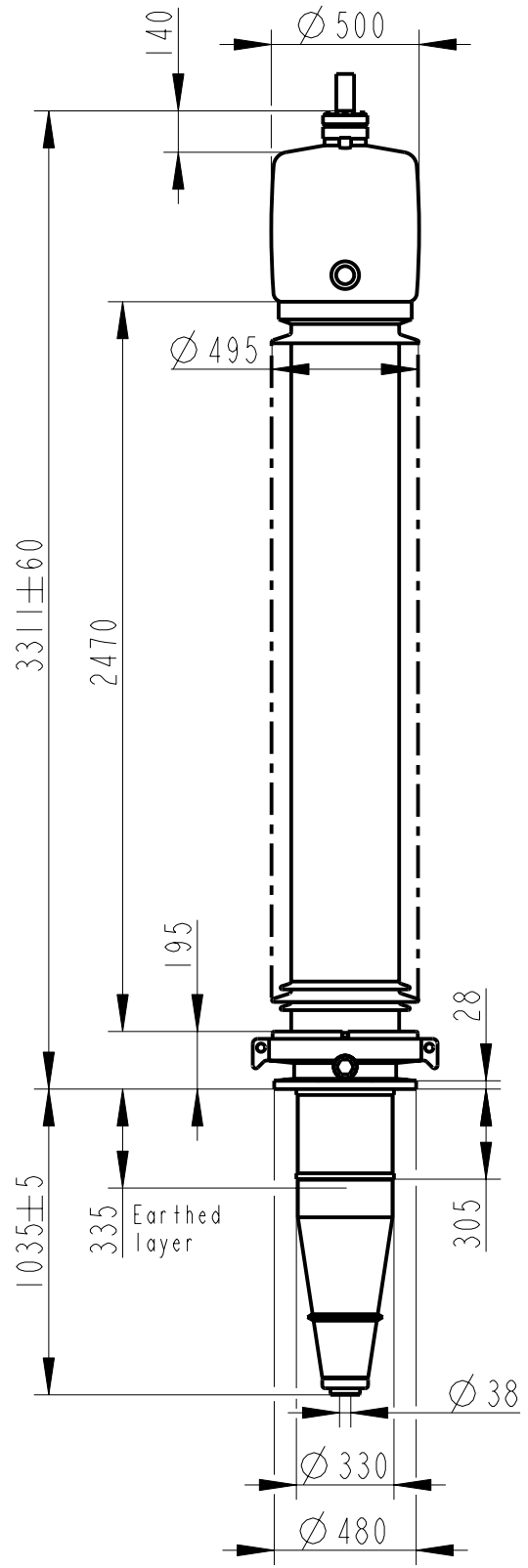


Rev	Ind	Revision	Appd	Date



### Bushing Data:

Rated Voltage	362	kV
Phase to-earth Voltage	220	kV
Dry Lightning Impulse 1,2/50µs	1175	kV
Wet Switching Impulse	850	kV
Wet Power frequency AC	540	kV
Routine test Imin dry 50Hz	530	kV
Rated Current	5000	A
Creepage Distance	7955	mm
Mass	910	kg

### Ordering Data:

<b>BUSHING</b>	COLOUR AIR INSULATOR
LF121061 -E / -AE	BROWN / LIGHT GREY
<b>OUTER TERMINAL</b>	
	H2 D2
	(mm) (mm)
LF170 073-A Al	125 60
LF170 073-B Cu	125 60
LF170 073-G Cu/Ag	125 60
OTHER TYPES ON REQUEST	

**END-SHIELD**  
 LF170 046-U EPOXY INSULATED  
 LF170 046-UP INSULATED WITH 3 mm PRESSBOARD

**DRAW ROD SYSTEM**

LF170 059	LOWER DRAW ROD WITH NI=4 OR NI=6
LF170 057	UPPER DRAW ROD

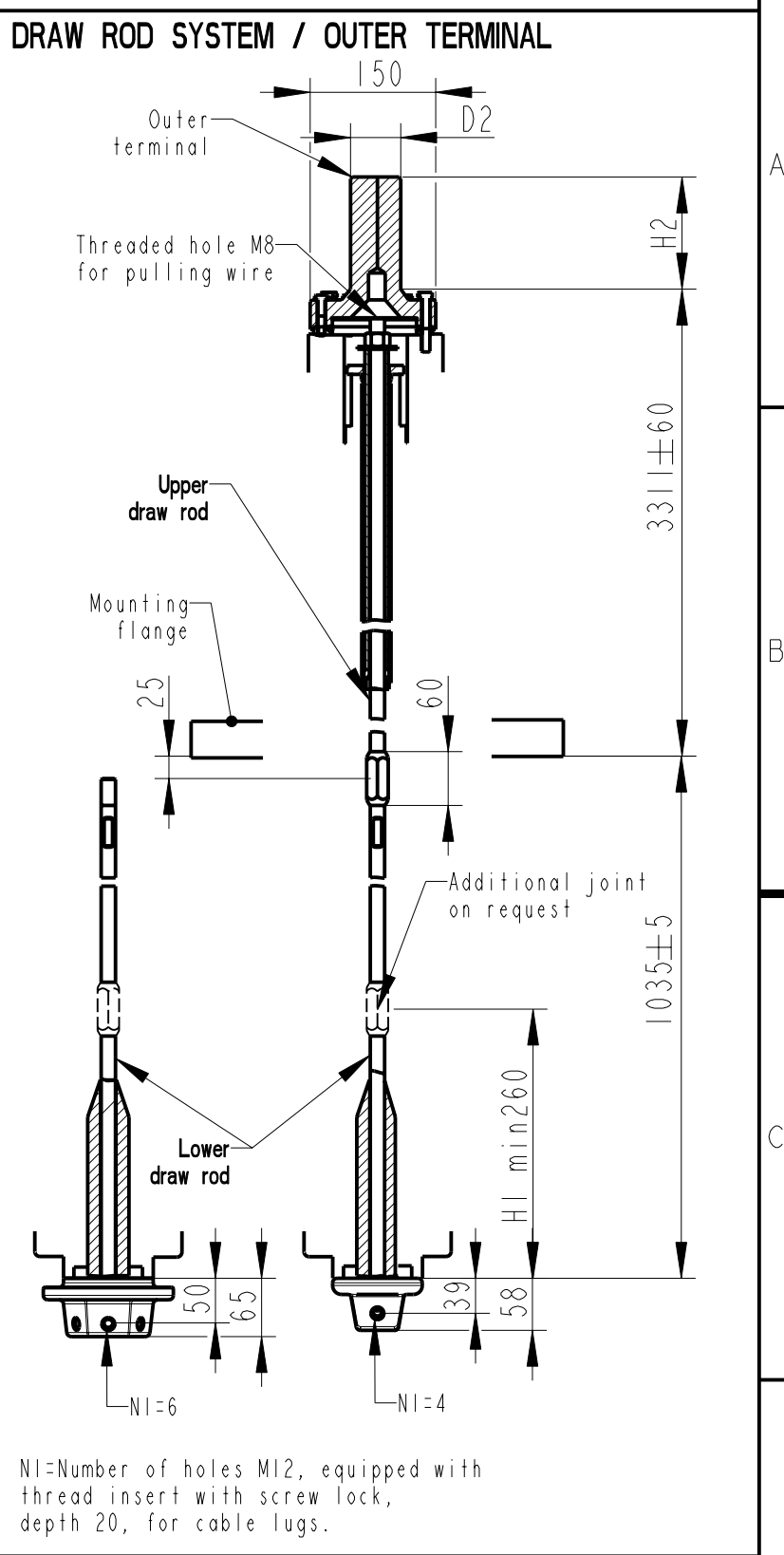
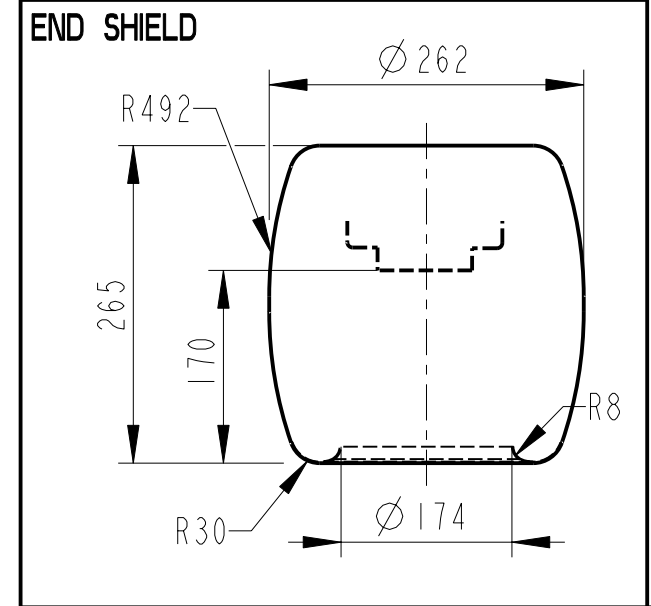
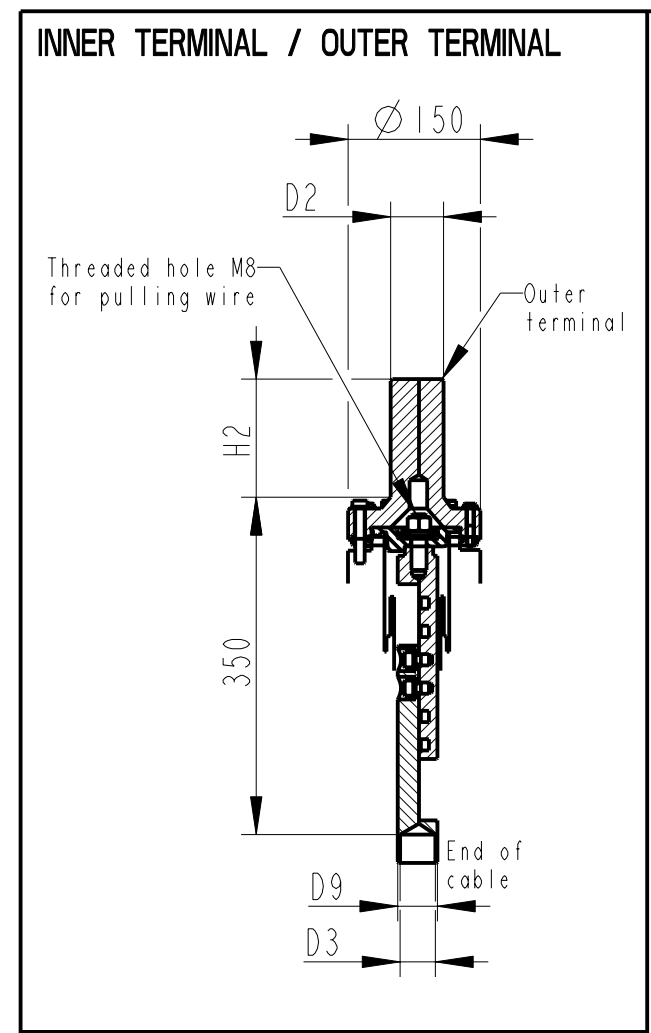
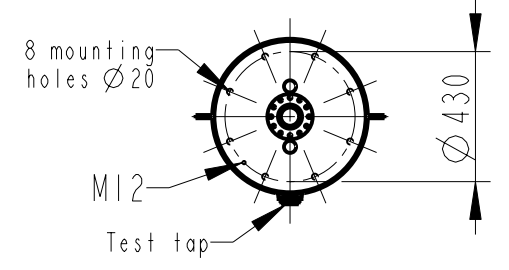
**INNER TERMINAL**

	D3 (mm)	D9 (mm)	Cond.area (mm <sup>2</sup> )	Current (A) IEC	IEEE
LF170 056-A O *)	35	-	-	-	-
LF170 056-B	15	35	95	390	370
LF170 056-C	30	35	285	1000	830

\*) WITH PILOT HOLE D=5

**ABB Components** Luleå, Sweden

Urty	Nb				
U	kV	SI	A	50-60 Hz	
M	kg	L	mm	D	
C1	pF	Tanδ			
C2	pF	Tanδ			



NI=Number of holes M12, equipped with thread insert with screw lock, depth 20, for cable lugs.

Based on	Reg. No.	Title	
Prepared Lövnord	Responsible department COM/BK 0022	GOE-1175-850-5000-0.3	
Approved Johansson	Take over department		
Design engineering review Gutman	Database	Page 1(1)	
<b>ABB</b> ABB Components		Document No. 2751369-25	

We reserve all rights in this document and in the information contained therein. Reproduction, use or disclosure to third parties without express authority is strictly forbidden. ©ABB